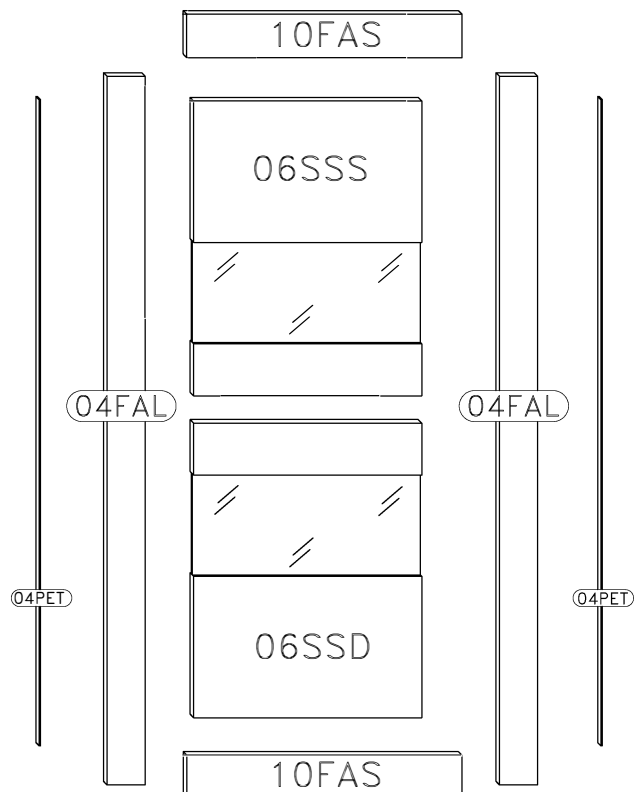
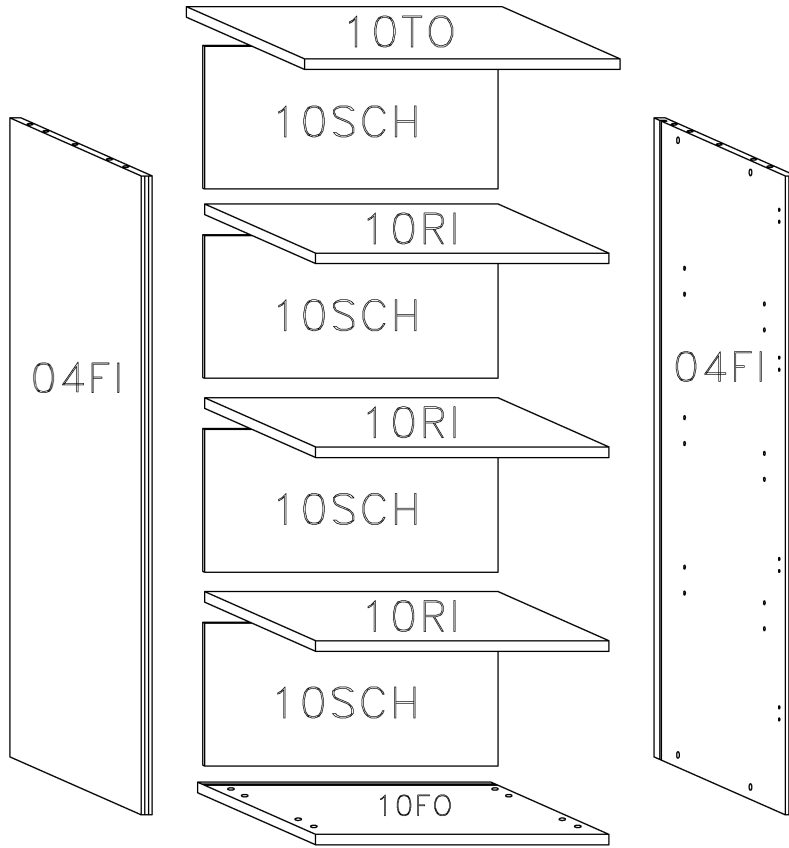
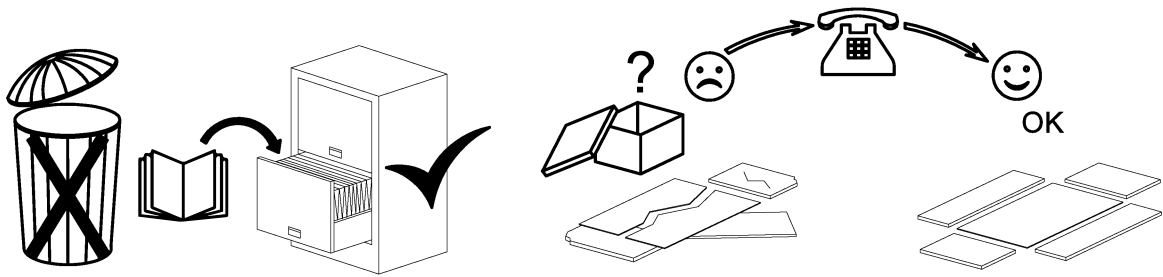
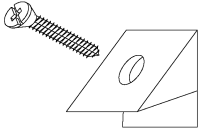
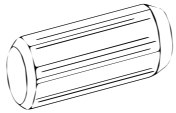

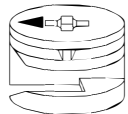

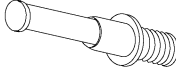
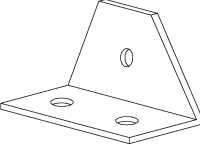

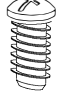
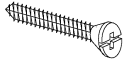
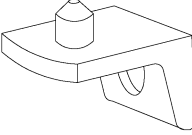
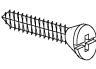
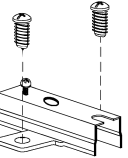
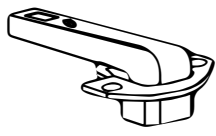


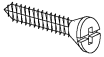



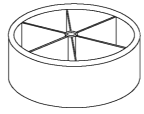
SERVICEKARTE



A		x24	P	201502-04CF	
B	 8x30 mm.	x16	P3		 x6
C	 ∅16 mm.	x8	P7		 ⚠ 3 mm. x6
D		x8	M3		 x14
L	 4.5x30 mm.	x4			 6x11 mm. x12
L3	 4x18 mm.	x42	R2		 x12

L2	201502-07CC  4x16 mm.	x8
N1		x4
O1		x4

M2	509080-01CM  3,5x16 mm.	x4
S11		x2

F21	205124-06PIE  ∅ 60 mm h 20 mm	x4
-----	---	----

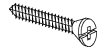
1

D



x8

L

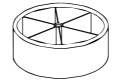


4.5x30 mm.

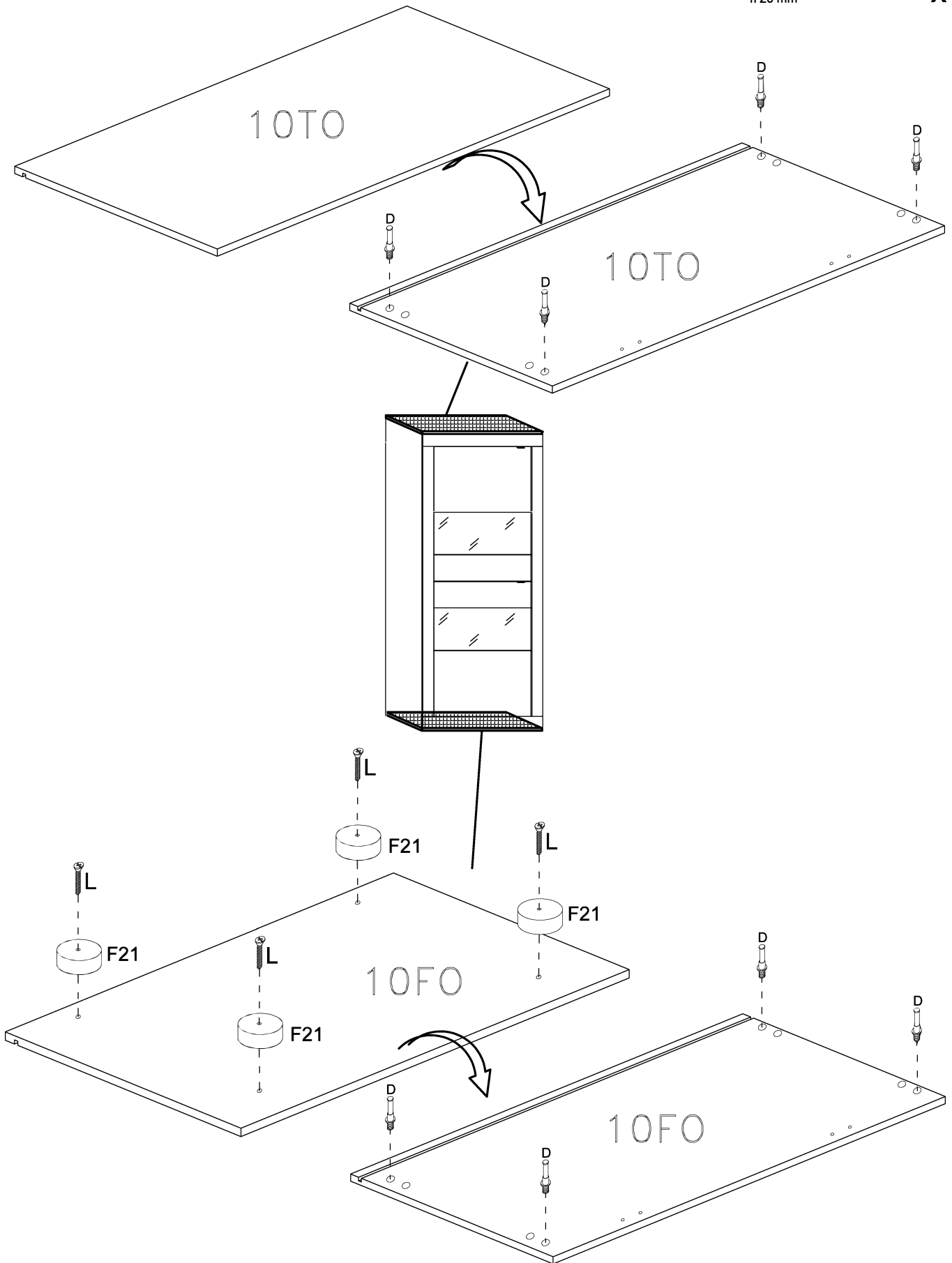
x4

F21

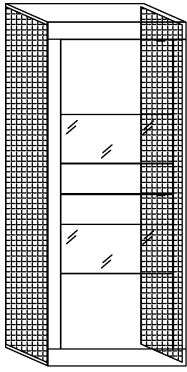
Ø 60 mm
h 20 mm

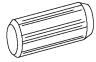
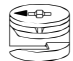

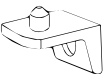


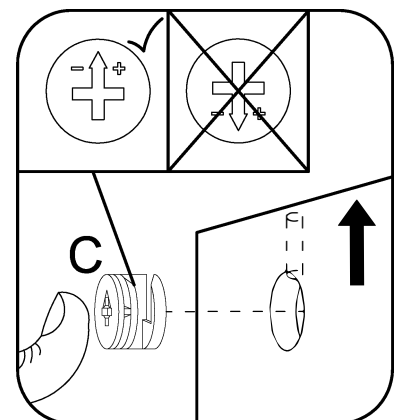
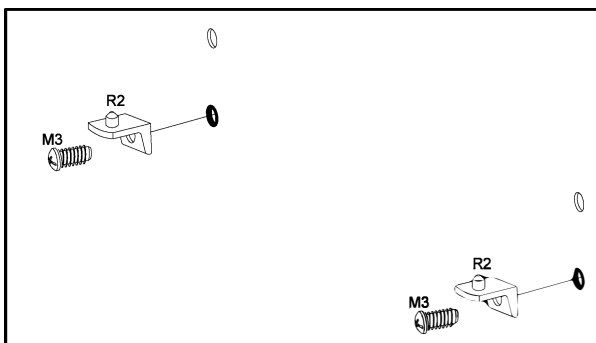
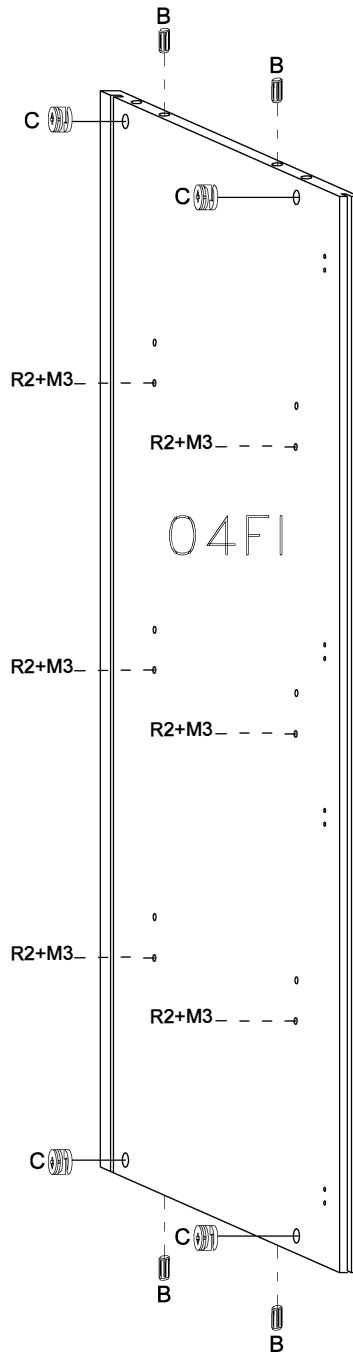
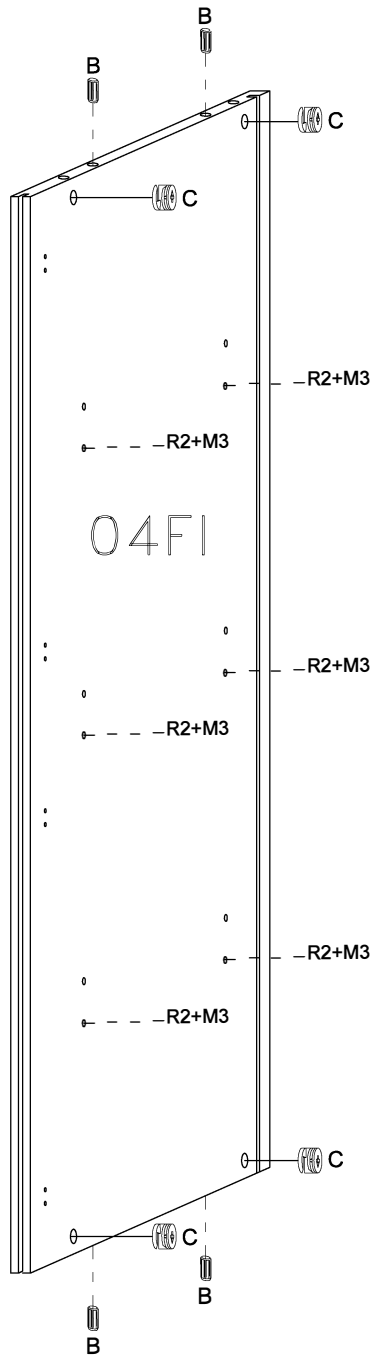
x4



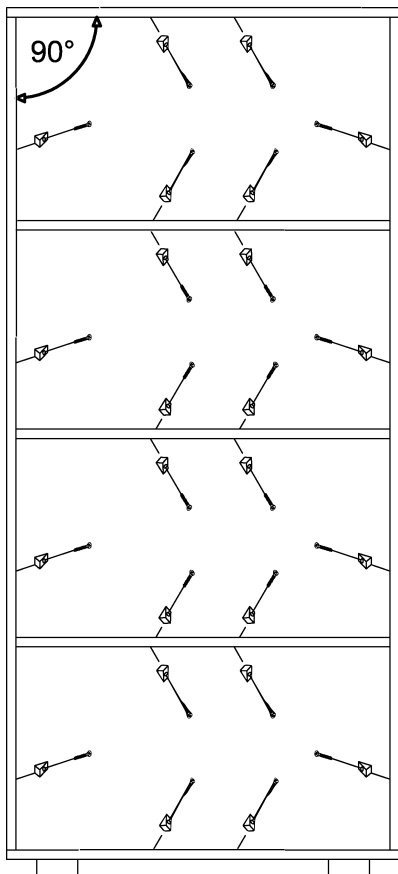
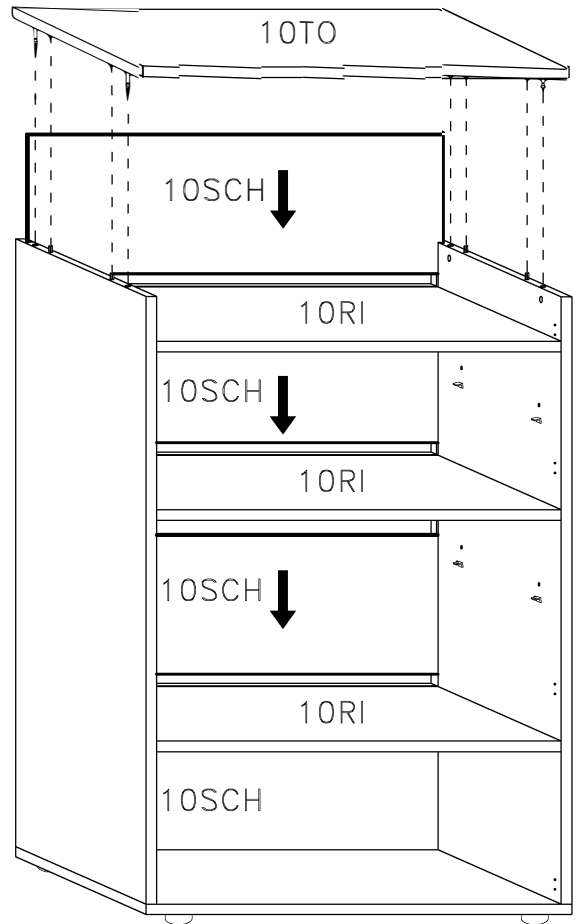
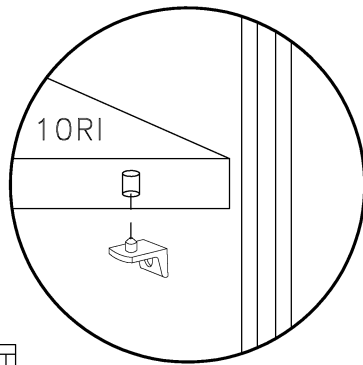
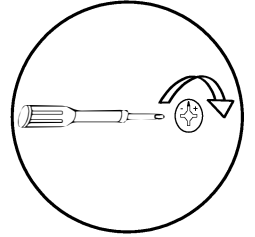
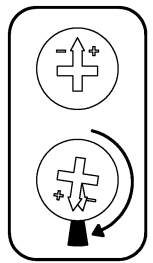
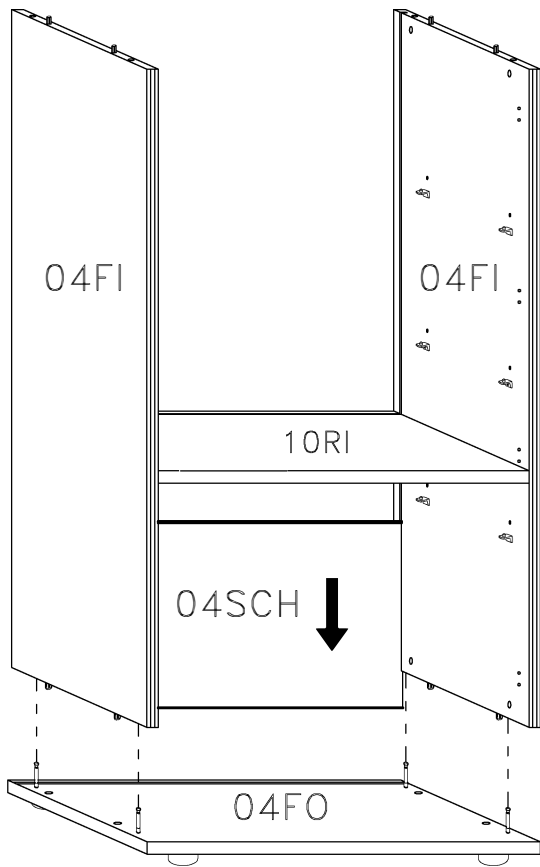
2

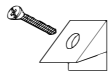


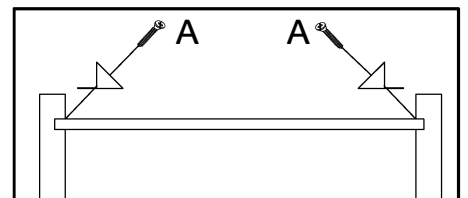
- B**  8x30 mm. **x8**
- C**  \varnothing 16 mm. **x8**
- M3**  6x11 mm. **x12**
- R2**  **x12**



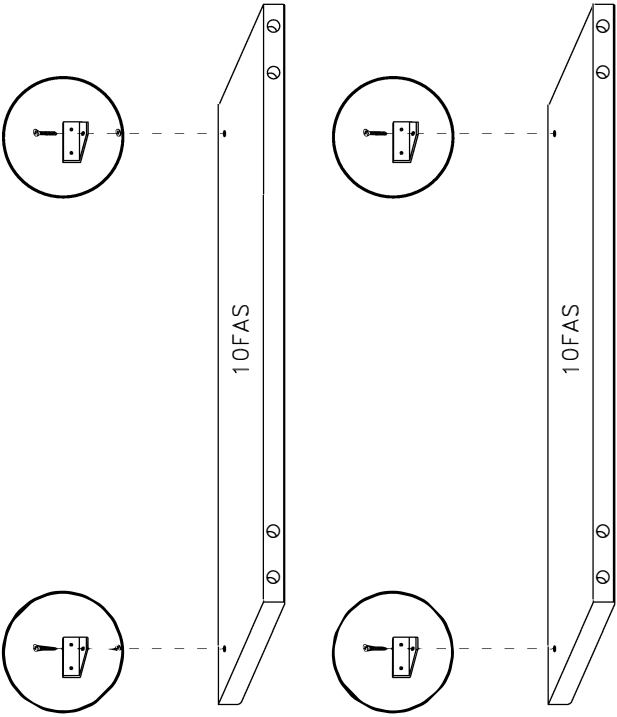
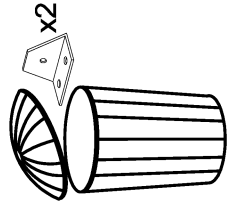
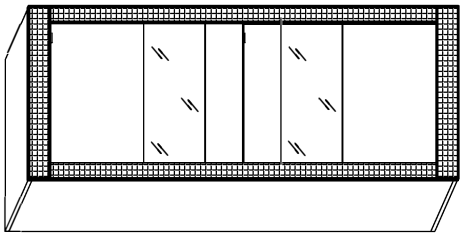
3



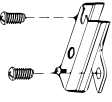
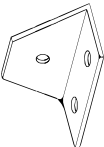


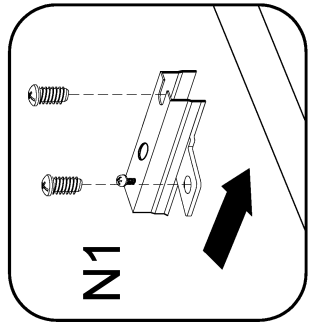
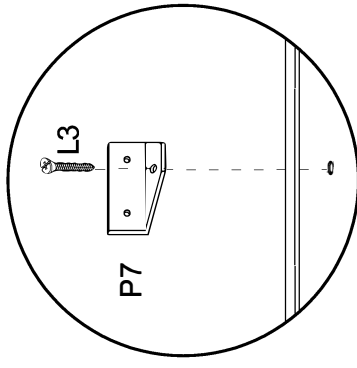
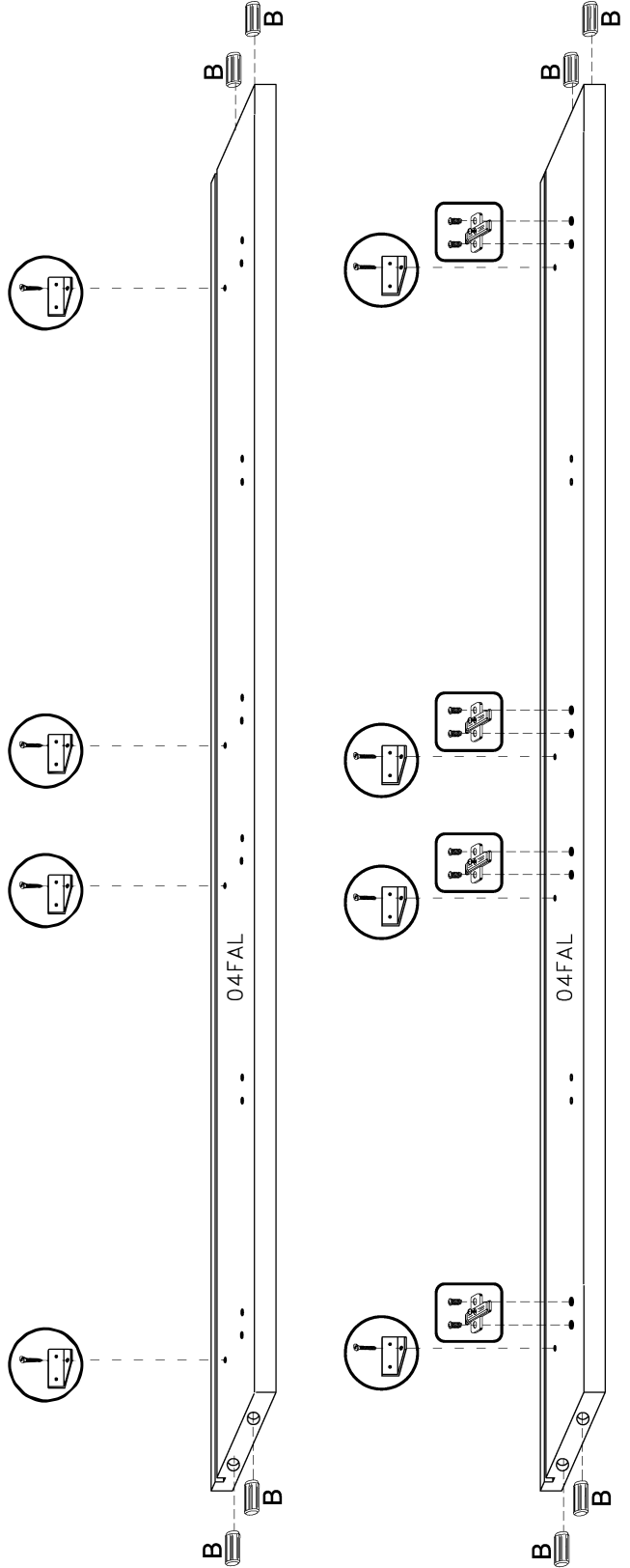
A  x24



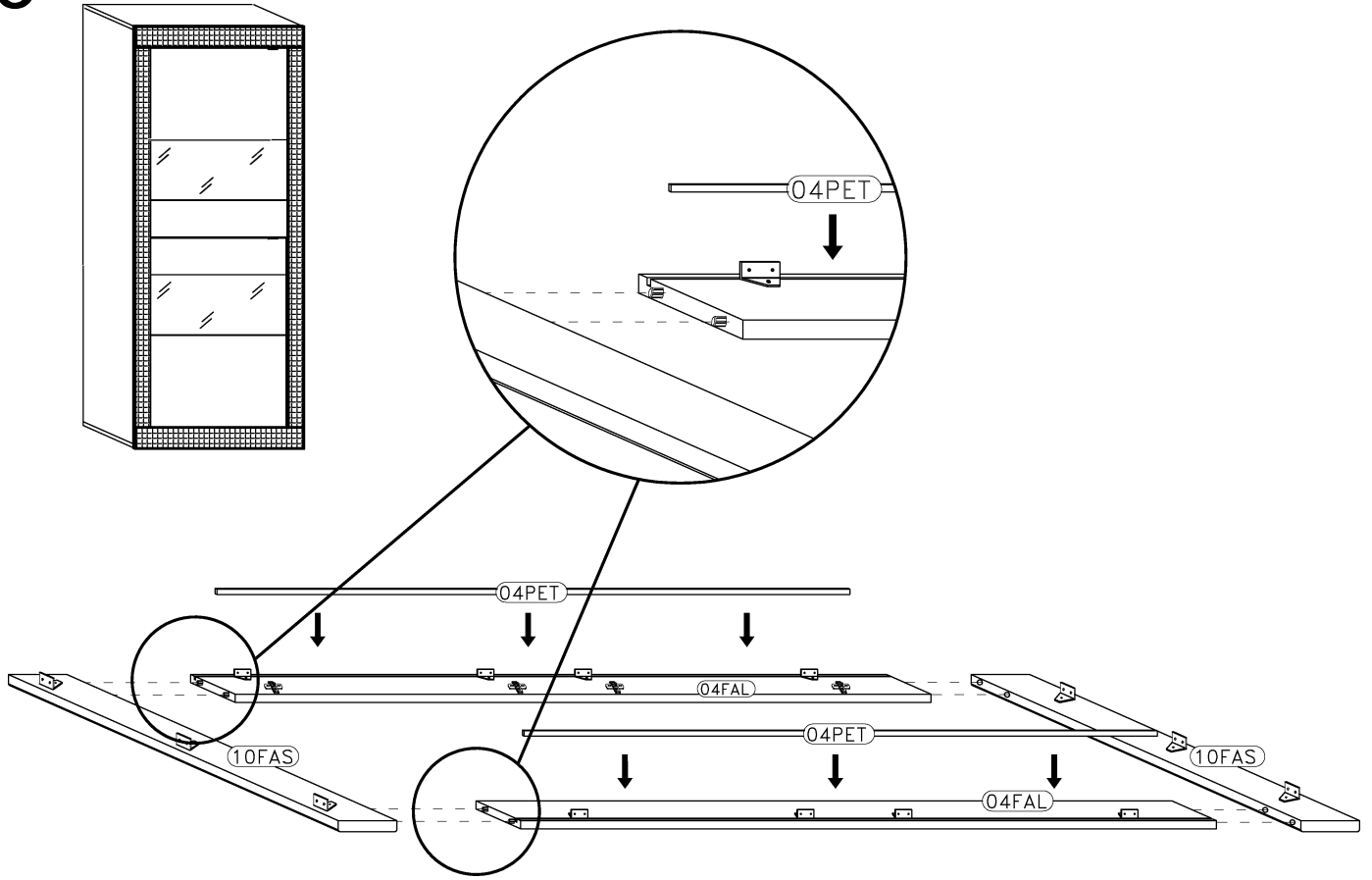
4



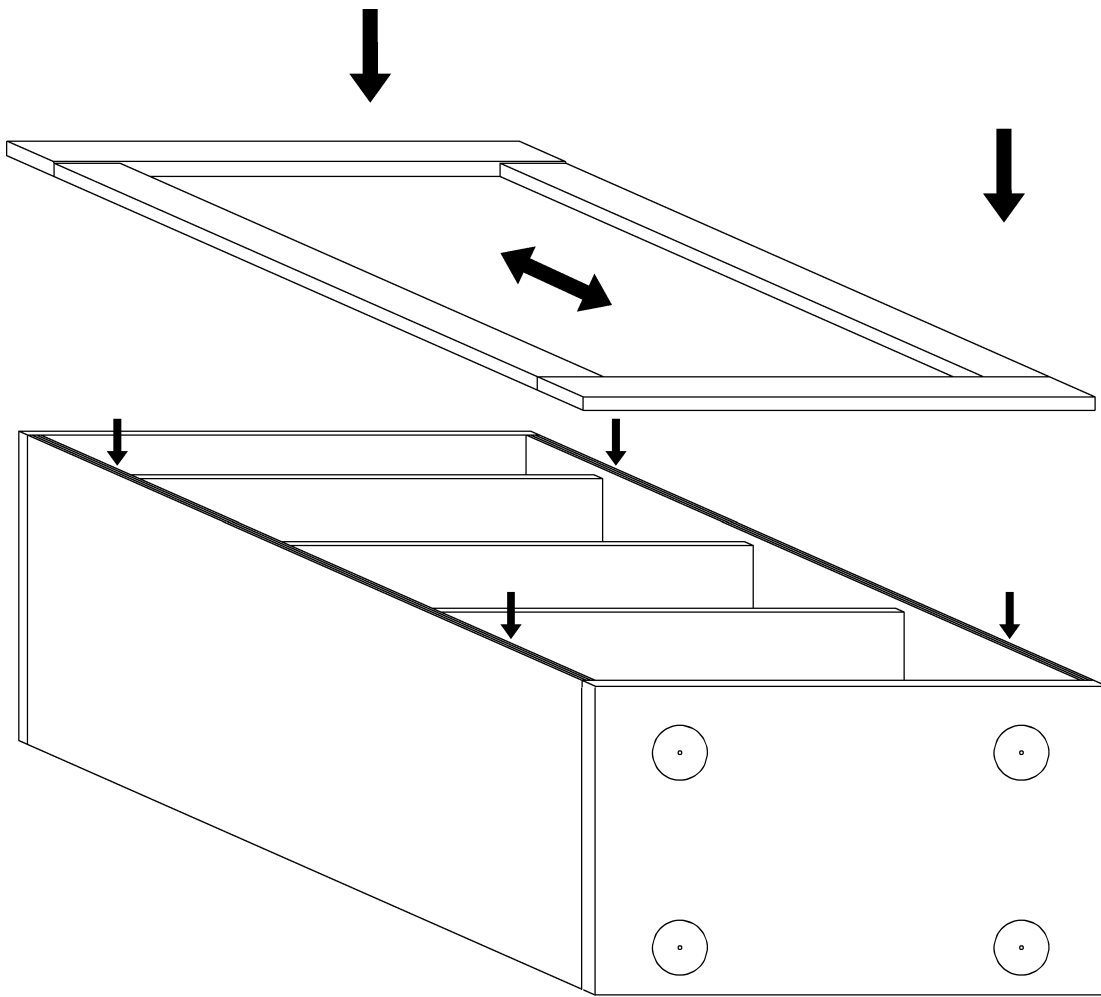
- B**  8x30 mm. **x8**
- L3**  4x18 mm. **x12**
- N1**  **x4**
- P7**  **x12**



5



6



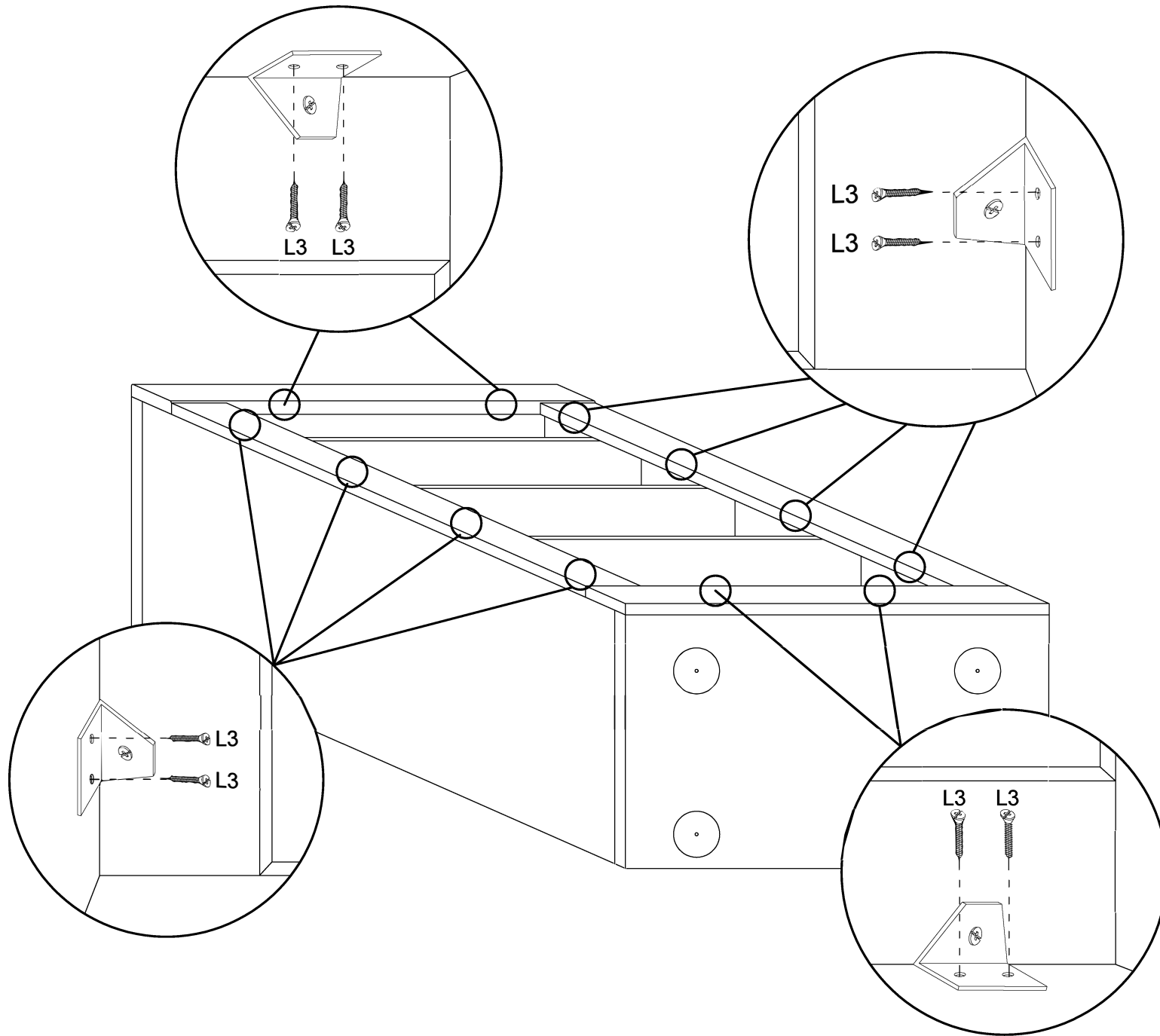
7

L3



4x18 mm.

x24



8

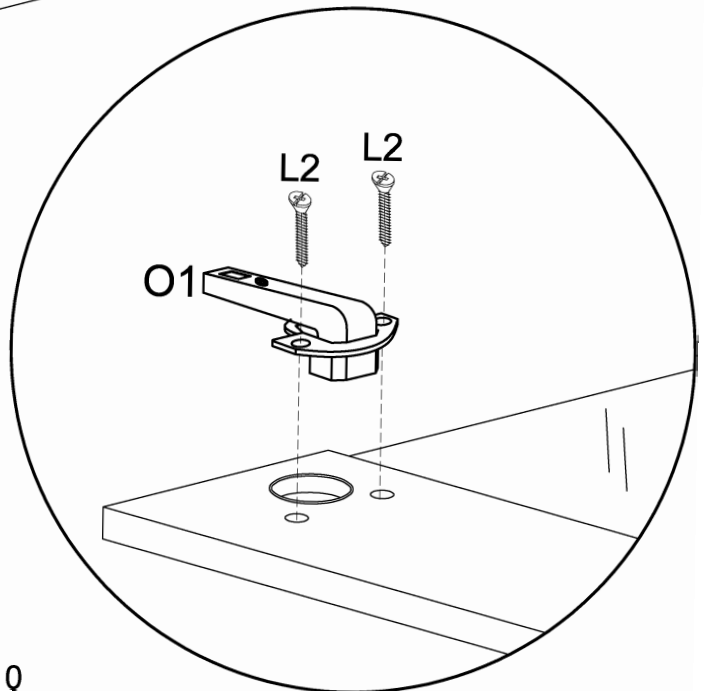
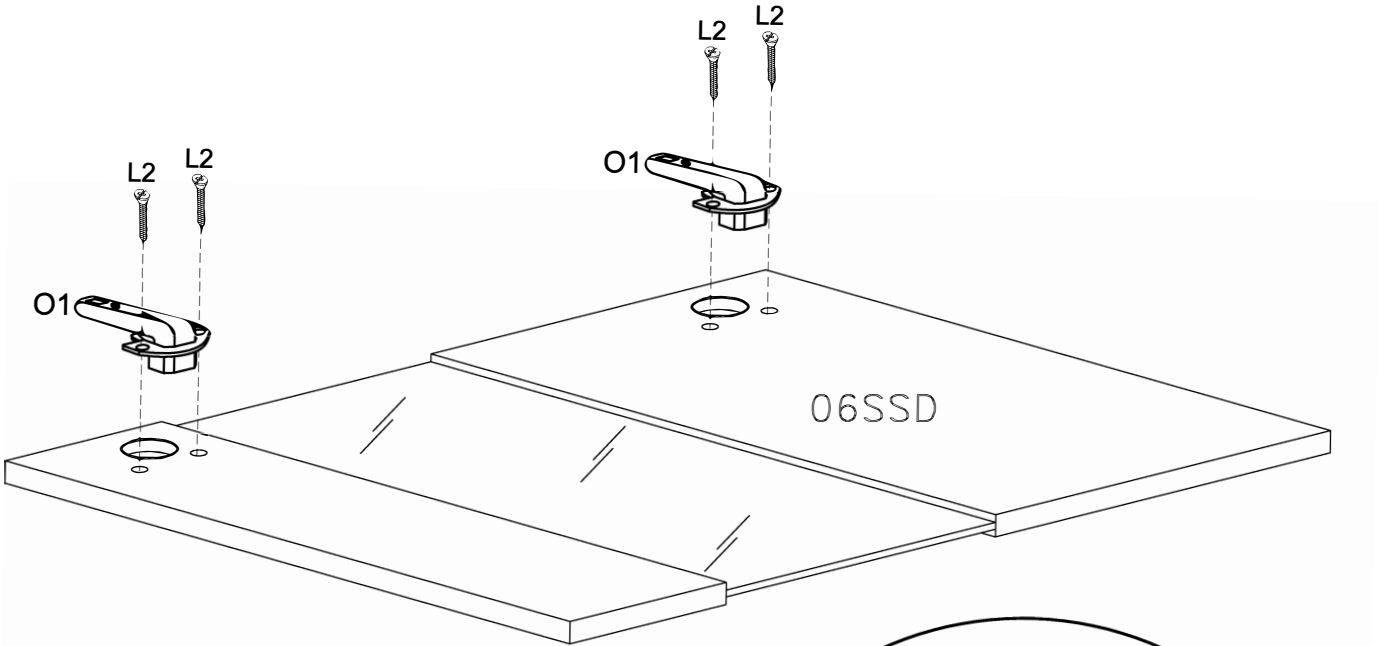
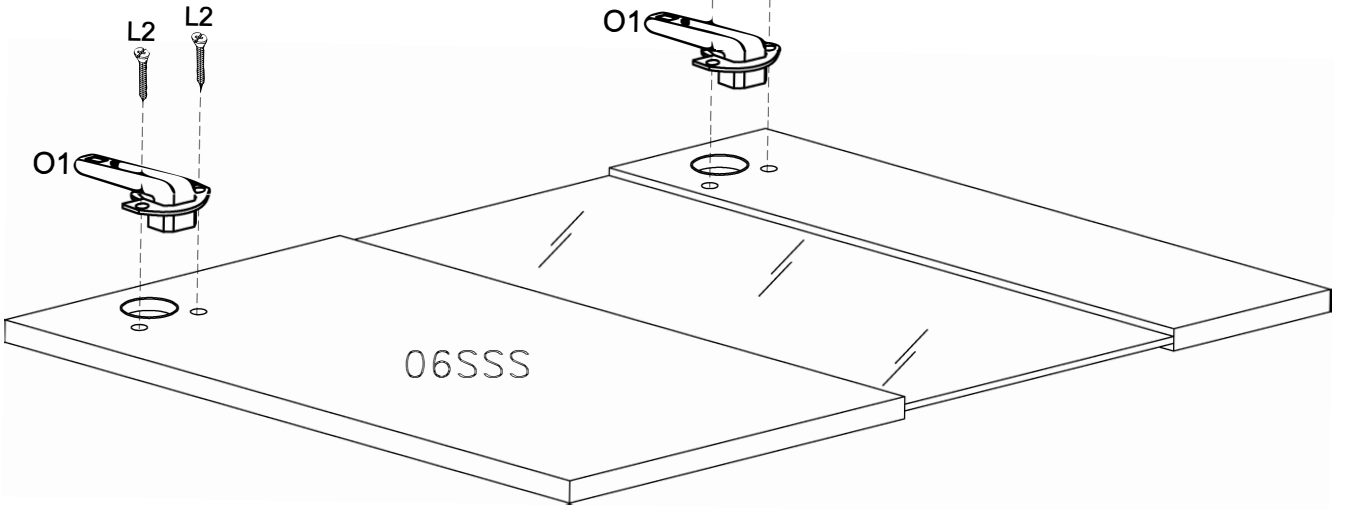
O1

L2

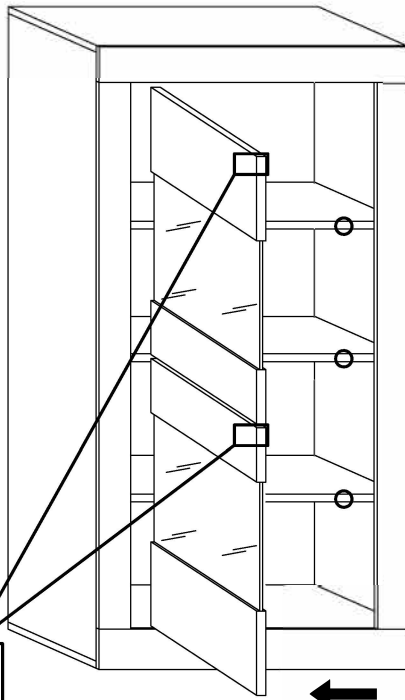
x4



x8



9



P



x6

P3



±3 mm.

x6

M2



3,5x16 mm.

x4

S11



x2

